

Carefree duo

HOLDFIRE®

- Unique system to make door closers easier to manage
- Ideal for care facilities, public buildings and schools
- Light opening and closing forces in normal condition
- Steps up to Power size 4 fire door closer in fire condition
- Ideal for both new construction and retrofit
- Available in a wide range of finishes and colours
- Styling and dimensions identical to all Holdfire Carefree ranges
- Full 10 year guarantee on mechanical and electrical aspects

Holdfire Carefree Duo is a unique system to overcome problems with heavy door closers. There are a number of areas where the opening forces of fire door closers, even DDA compliant units, are too high to manage.

Why Carefree Duo?

- Where a door closer is still required for privacy or security, swing free or hold open solutions are not suitable. Examples might be bathroom or toilet doors, entrance doors to sheltered accommodation or classroom doors in primary schools.
- This latest addition to the Carefree range of door systems, is designed to overcome the issue of heavy closers. It operates at two power levels, low power for normal use and automatically switching to a power size 4 fire door closer on activation of the fire alarms.
- The low power level is equivalent to a power size 1 door closer and offers a very low opening resistance; less than half that required by Doc M of the Building Regulations. This means that frail adults and young children can easily open the door.
- When the fire alarms are activated, the power level steps up to a BS1154 compliant fire door closer. The door can still be opened but the closing pressure is the same as a normal door closer.

Operation:

Carefree Duo is connected into the fire alarm system so that when the alarms are activated it automatically switches into full power mode.

When the door is opened for the first time, the closing mechanism is “loaded” and the unit switches into low power mode. It remains in this mode until the fire alarms activate. Carefree Duo then automatically switches into full power mode to meet the required Fire & Building Regulations.

Once the fire panel has been reset, the door is reset by opening it once again to load the mechanism which automatically switches back into low power mode.

Other Carefree products from Holdfire:

- Carefree Door Closer, a DDA compliant simple door closer
- Carefree Standard, a door closer configurable to hold-open or swing free mode
- Carefree Plus, swing free closer with anti-slam and anti-drift features for care facilities



For further information contact the sales desk on: **0800 111 6104**
or visit our website: **www.holdfire.com**
email: **info@holdfire.com**

Carefree duo

Carefree Duo is the only unit on the market to offer dual power setting and offers:

- **Completely manufactured in the UK**
- **Parallel arm or projecting arm configurations**
- **Push or pull side installation**
- **Either handed**
- **Simple set up and installation**

Finishes:

Spray silver
Brushed stainless steel
Brass plated
Chrome plated
colour matching

Power requirement:

24V DC, 2.8W, 95mA

Standards:

There are no standards to encompass the unique features of Carefree Duo.

In full power mode the device fully conforms to the requirements of BS 1154 for power size 4 closer, suitable for 1/2, 1 and 2 hour fire doors.

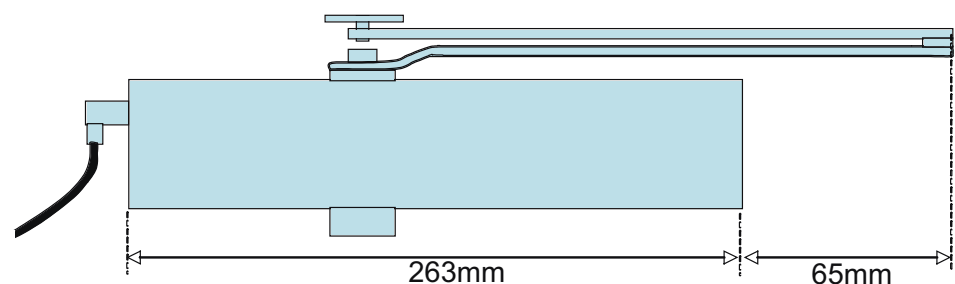
Design

In keeping with the Holdfire design philosophy, Carefree Duo is a slimline, low profile mechanism that is even smaller than many types of basic overhead closer. This means it can be hidden behind most doors providing that important non-institutional look. Its external appearance is identical to other devices in the Holdfire Carefree Range so that a coherent design can be achieved through the building.

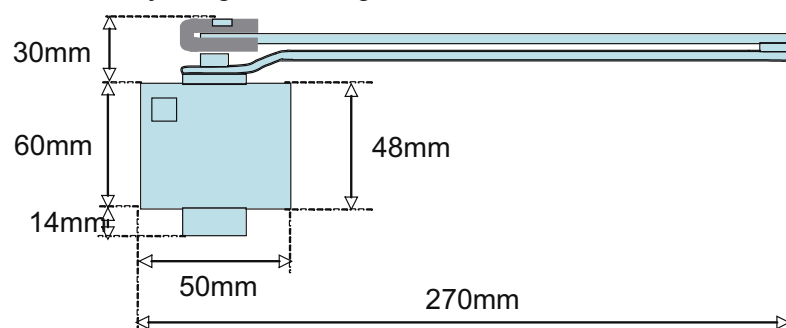
The unit contains very few parts and is both reliable and simple to fit. A full 10 year guarantee is offered on both the electrical and mechanical aspects of the device, including the wire loop from the unit to the door frame.

Technical Data

Parallel Arm configuration



Projecting arm configuration



For further information contact the sales desk on: **0800 111 6104**
or visit our website: **www.holdfire.com**
email: **info@holdfire.com**