

Carefree plus+

HOLDFIRE®

- Unique swing free system developed specifically for care
- Door cannot be slammed
- Resists drift from draughts and unbalanced doors
- Safe, slow swing speed in fire condition
- Stylish, compact unit
- Ideal for both new construction and retrofit
- Approved to British and European standards
- Available in a wide range of finishes & colours
- Full 10 year guarantee on mechanical and electrical aspects

Holdfire Carefree Plus is a revolution in swing free technology. Specifically developed for the Care Industry, Carefree Plus has unique features that lowers risks of injury to residents and eliminates the incentive to wedge doors.

Why Carefree Plus?

- Traditional swing free systems can cause additional problems in Care. Because in normal use the door is completely free, it can be slammed shut either maliciously, accidentally or simply because of a draught in the building which poses an unacceptable risk to frail care home residents. Holdfire have developed Carefree Plus to hydraulically damp the motion of the door so that it cannot be slammed.
- In care facilities doors may drift from the position the resident chooses if subjected to draughts or the door is unbalanced; the result being the resident wedges the door. Carefree Plus introduces a imperceptible hydraulic drag that stops the door building a momentum and drifting from its position, while to the resident the door feels completely free.
- Many of the swing free systems available allow the closing swing speed of the door in alarm conditions to be adjusted. The temptation for the installer is to either set the speed fast to overcome carpentry issues or simply forget to adjust the speed down to a safe level. The risk is that on activation of the fire alarm the doors shut dangerously quickly risking injury to residents. Carefree Plus removes this risk by fixing the closing speed to a safe level but providing a powerful latch action to drive the door past the smoke seals to securely latch.

What is swing free?

When the door is opened for the first time, the closing mechanism is “loaded” but held back from closing the door. This means the door is completely free of any closing force; it behaves like a door that does not have a closer fitted.

The benefit for residents and staff is that there is no resistance to opening or closing the door and it can be left in any position- even just a few inches open.

The closer is connected into the fire alarm system so that when the alarms are activated the closing mechanism is released and the door is closed. A closing force will remain on the door until the alarms have stopped and the door is opened once more to load the mechanism.



For further information contact the sales desk on: **0800 111 6104**
or visit our website: **www.holdfire.com**
email: **info@holdfire.com**

Carefree plus+

Carefree Plus door is the only unit on the market specifically designed to meet the needs of residential care facilities and offers:

- Simple set up and installation
- Parallel arm or projecting arm configurations
- Push or pull side installation
- Either handed
- Selectable power (template) up to size 4

Technical Data

Finishes:

Spray silver
Brushed stainless steel
Brass plated
Chrome plated
Colour matching

Power requirement:

24V DC, 2.8W, 95mA

Standards:

BS1155, suitable for 1/2, 1 and 2 hour fire doors

Other Carefree products from Holdfire:

- Carefree Door Closer, a DDA compliant simple door closer
- Carefree Standard, a door closer configurable to hold-open or swing free mode
- Carefree Plus, swing free closer with anti-slam and anti-drift features for care facilities

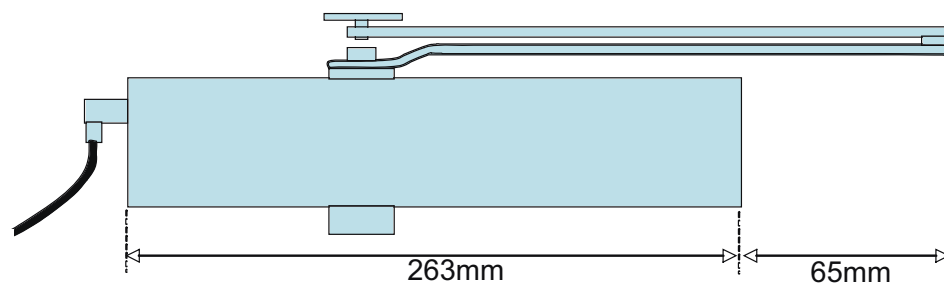
Design

Traditionally door closers with built-in swing free mechanisms have been expensive, ugly, complex looking pieces of equipment.

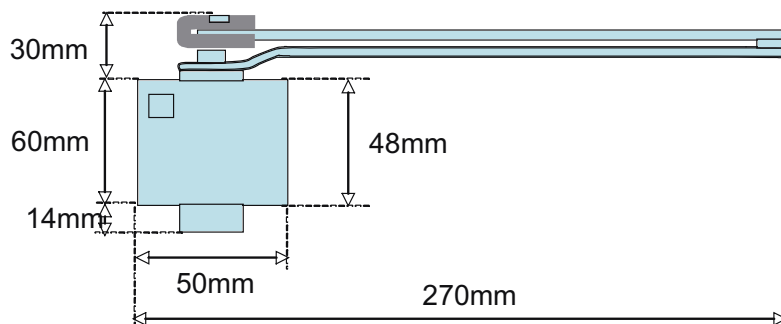
In keeping with the Holdfire design philosophy, the Carefree unit is a slimline, low profile mechanism that is even smaller than many types of basic overhead closer. This means it can be hidden behind most doors providing that important non-institutional look to a care facility.

Designed specifically as a swing free system, the unit contains very few parts and is both reliable and simple to fit. Another unique for the Carefree range is that a full 10 year guarantee is offered on both the electrical and mechanical aspects of the device, including the wire loop from the unit to the door frame.

Parallel Arm configuration



Projecting arm configuration



For further information contact the sales desk on: **0800 111 6104**
or visit our website: **www.holdfire.com**
email: **info@holdfire.com**