

## Wiring Guidance Notes

Each Carefree device consumes 95mA @24VDC.

Devices should be connected in radial circuits forming zones as required. Ring connections are not recommended.

Cable should be left at first fix adjacent to the hinge end of the door frame level with the top of the door on the side the closer is to be fitted. See diagram overleaf.

Wiring should be completed in a cable suitable for the current and voltage, preferably coloured red to make it readily distinguishable from other circuits to fully meet the requirements of BS 5839. Note that in accordance with BS 7671 (IEE Wiring regulations) the extra low voltage cable routings must be separate to mains wiring.

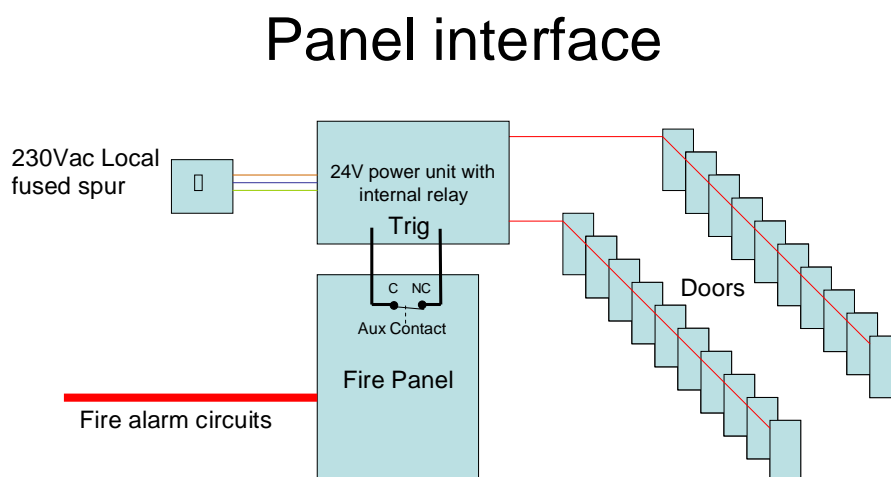
Power must not be taken from the 24V fire alarm panel; a separate power supply should be installed.

Care should be taken when connecting to the fire alarm system. Most fire alarm panels have auxiliary relay contacts but these are often rated at less than 1A. Irrespective of load, it is good practice to fit a separate relay to switch the load with the relay coil switched by the fire alarm panel.

Holdfire can supply suitable power supplies with inbuilt relays if required.

Taking a signal from a fire alarm sounder circuit is generally not recommended and will not meet the requirements of BS 5839 and BS 7273.

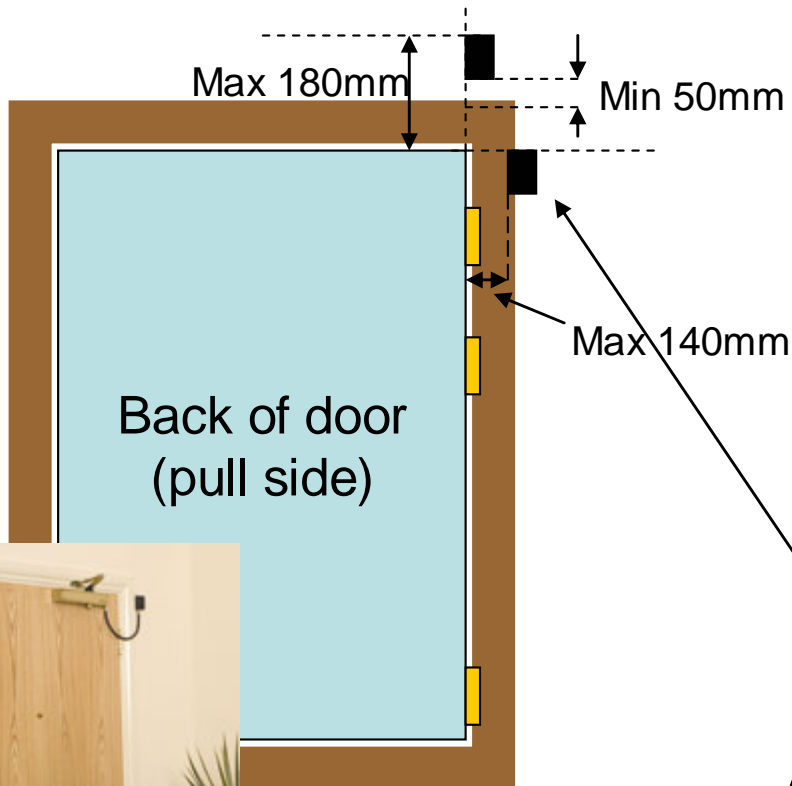
**Figure 1 Commercial wiring schematic**



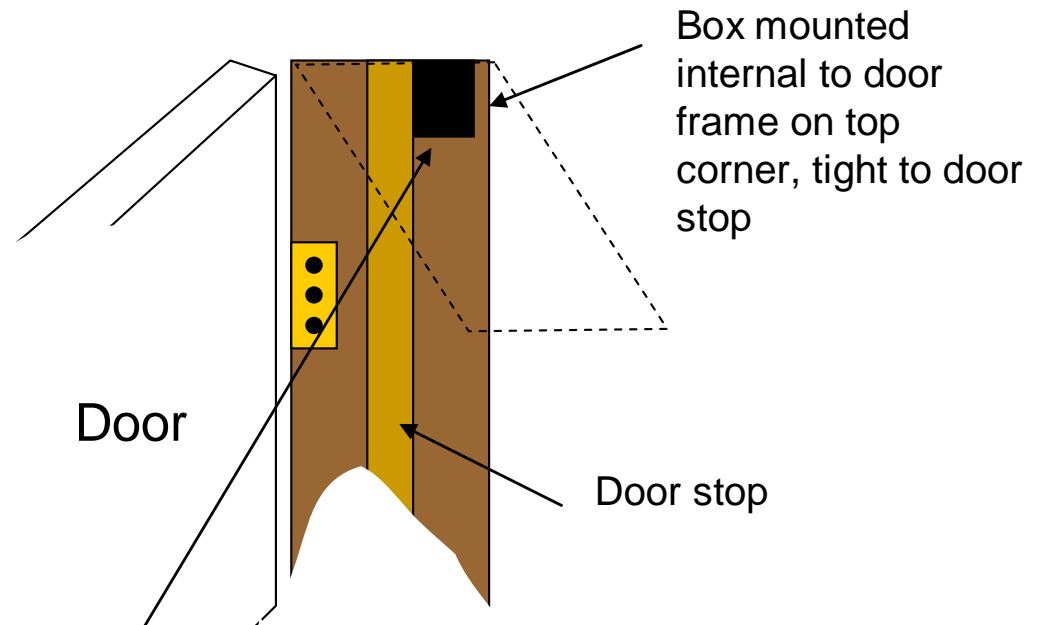
Issue 1 Sept 2007

# Box positions for pre-wiring

## Fitting to back of door



## Fitting to front of door



Actual connection box dimensions  
H 55mm, W 40mm D 25mm