

Carefree

HOLDFIRE[®]

A new stylish, swing free system for the care industry

- Low cost, simple mechanism
- Selectable hold open or swing free function
- Stylish, compact unit
- Ideal for bedroom and corridor doors
- Full 10 year guarantee on all mechanical and electrical parts
- Suitable for both new construction and retrofit
- Fully tested to British and European standards
- Available in a wide range of finishes and colours



Holdfire Carefree is a new, low profile and compact swing free door closer.

Unlike the Holdfire door holding system which invisibly holds doors open against the force of the existing closer, Carefree combines a door closing system with both a hold open and swing free capability.

The system has been designed to minimise mechanical complexity and offer a neat, reliable yet affordable solution for the care environment.

Operation

When the door is opened for the first time, the closing mechanism is “loaded” but held back from closing the door. This means the door is completely free of any closing force; it behaves like a door that does not have a closer fitted.

The benefit for residents and staff is that there is no resistance to opening or closing the door and Carefree is designed to close the door from any position, even just a few inches making it ideal for residential care.

The closer is connected into the fire alarm system so that when the alarms are activated the closing mechanism is released and the door is closed. A closing force will remain on the door until the alarms have stopped and the door is opened once more to load the mechanism.

Design

Traditionally door closers with built in hold-open or swing free mechanisms have been expensive, ugly, complex looking pieces of equipment.

In keeping with the Holdfire design philosophy, the Holdfire unit is a slimline, low profile mechanism that is even smaller than many types of basic overhead closer.

Yet despite its size, this versatile system offers the capability to allow the door to swing-free or securely hold the door at any angle from 70-170 degrees, making it suitable for both bedroom and corridor doors.

With a powerful closing engine and two speed adjustments, Carefree can be configured to slowly close when the fire alarms are activated and powerfully drive the door past the cold smoke seals to latch.



For further information contact the sales desk on: **0800 111 6104**
or visit our website: **www.holdfire.com**
email: **info@holdfire.com**

Carefree

HOLDFIRE®

Technical Data

The Carefree door closer is one of the most versatile units on the market, offering:

- Slimline profile allows closer to be positioned behind most doors
- Selectable hold open or swing free functions
- Parallel arm or projecting arm configurations
- Push or pull side installation & either handed
- Will not warp doors like traditional door holders
- Latch and closing speed control
- Hold open from 70 to 170 degrees
- Selectable power (template) up to size 4

Finishes:

Spray silver
Brushed stainless steel
Brass plated
Chrome plated
colour matching

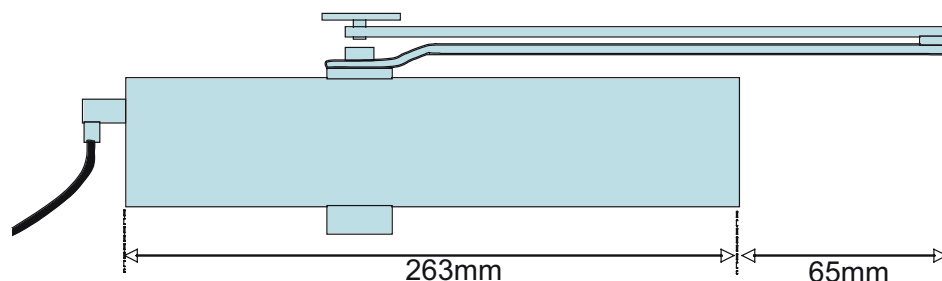
Power requirement:

24V DC, 2.8W, 95mA

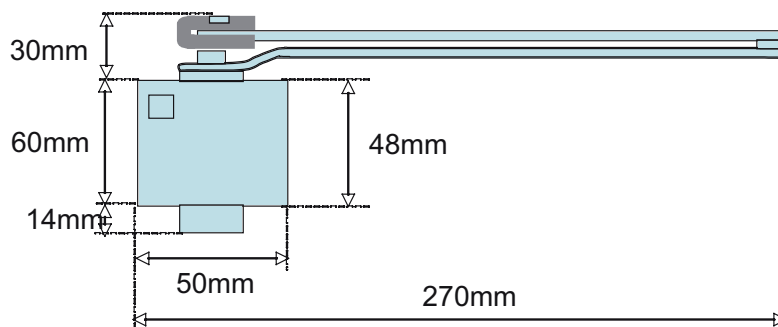
Standards:

BS1155, suitable for 1/2,
1 and 2 hour fire doors

Parallel Arm configuration



Projecting arm configuration



For further information contact the sales desk on: **0800 111 6104**
or visit our website: www.holdfire.com
email: info@holdfire.com